

Practical Guide To Music Synthesis For Producers And Composers

: The Allure of Sound Synthesis

Music synthesis, the art of creating and manipulating sound through electronic means, offers an unparalleled opportunity to shape sonic landscapes with boundless imagination. Whether you're a seasoned producer or an aspiring composer, this practical guide will empower you to harness the transformative power of synthesis, unlocking a world of sonic possibilities.



Creating Sounds from Scratch: A Practical Guide to Music Synthesis for Producers and Composers by Andrea Pejrolo

★★★★☆ 4.5 out of 5



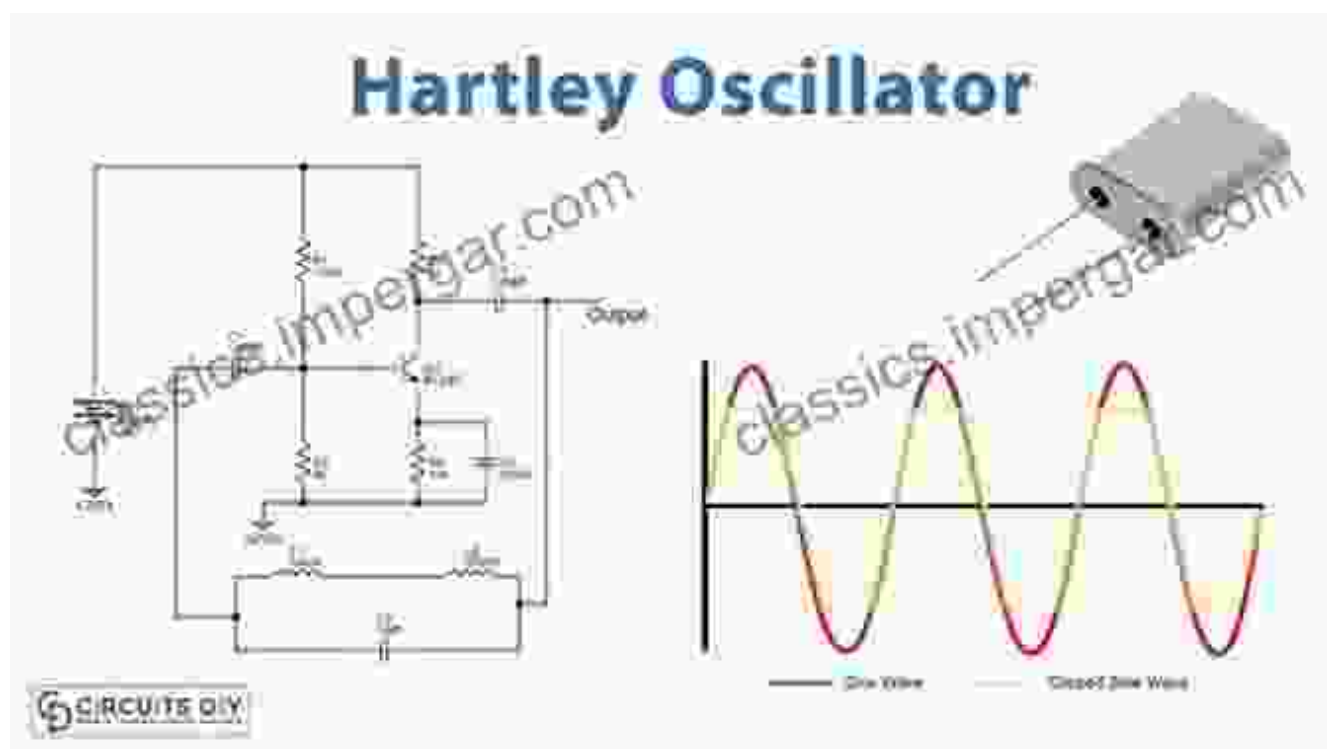
Chapter 1: The Building Blocks of Synthesis

Embark on a foundational exploration of the fundamental principles governing music synthesis. Delve into the nature of sound waves, waveforms, and the spectrum of frequencies. Discover the essential components of a synthesizer, including oscillators, filters, envelopes, and

effects. This chapter lays the groundwork for understanding the intricate machinery of sound creation.

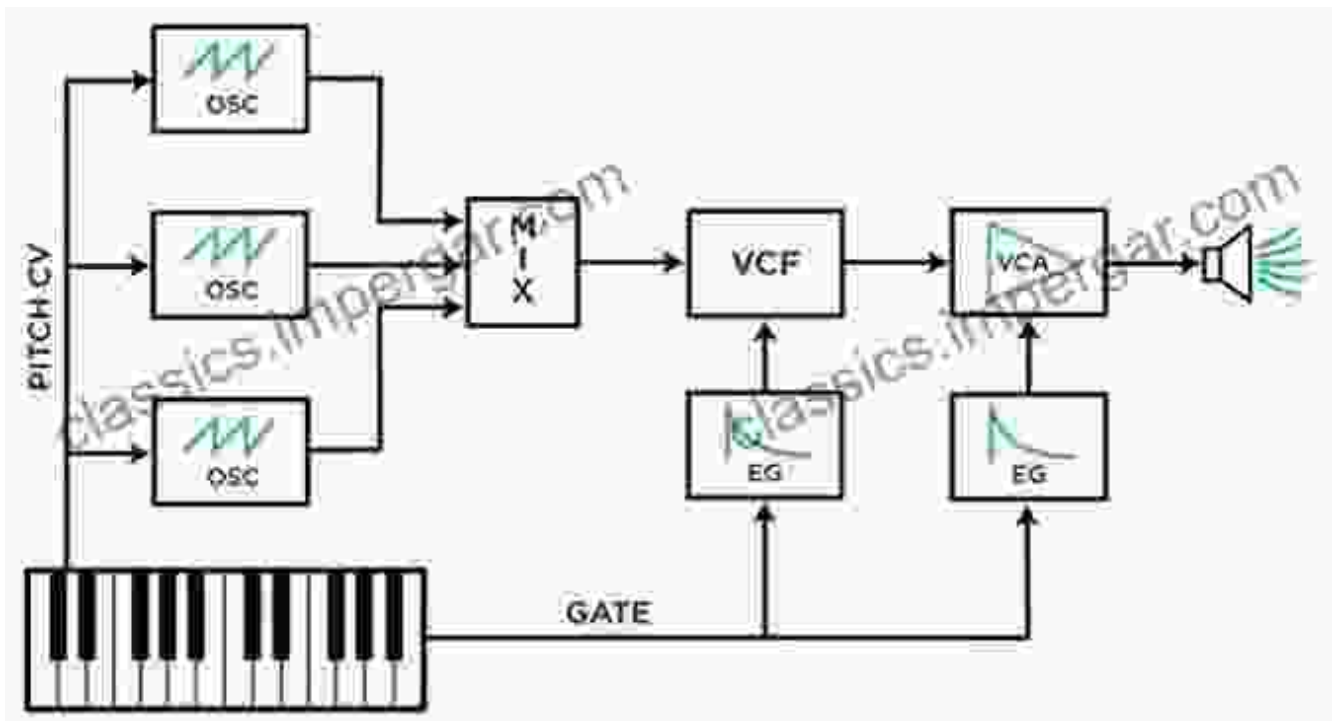
Chapter 2: Oscillators: The Heartbeat of Sound

Dive into the realm of oscillators, the very heart of sound synthesis. Explore the different types of oscillators and their unique characteristics, from sine waves to complex FM synthesis. Learn how to modulate oscillators to create dynamic and expressive sounds. Discover the art of layering and detuning oscillators to achieve sonic richness and depth.



Chapter 3: Filters: Shaping the Sonic Spectrum

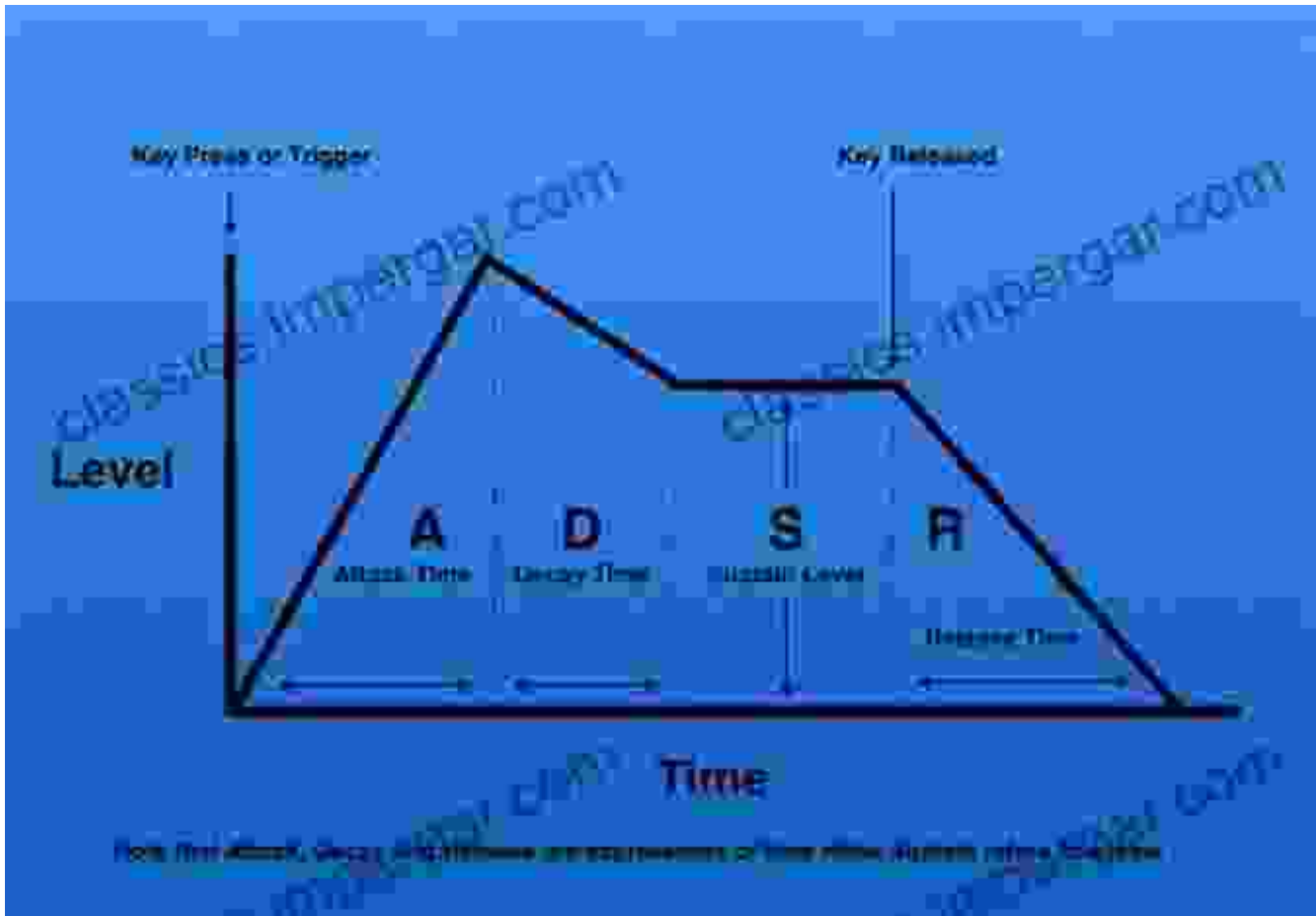
Explore the world of filters, the gatekeepers of sound. Discover the different types of filters, including low-pass, high-pass, band-pass, and notch filters. Learn how to use filters to sculpt and shape your sounds, removing unwanted frequencies and emphasizing desired ones. Explore resonance and its role in creating expressive and dynamic sounds.



Filters selectively allow or block certain frequencies, enabling you to refine and contour your sounds.

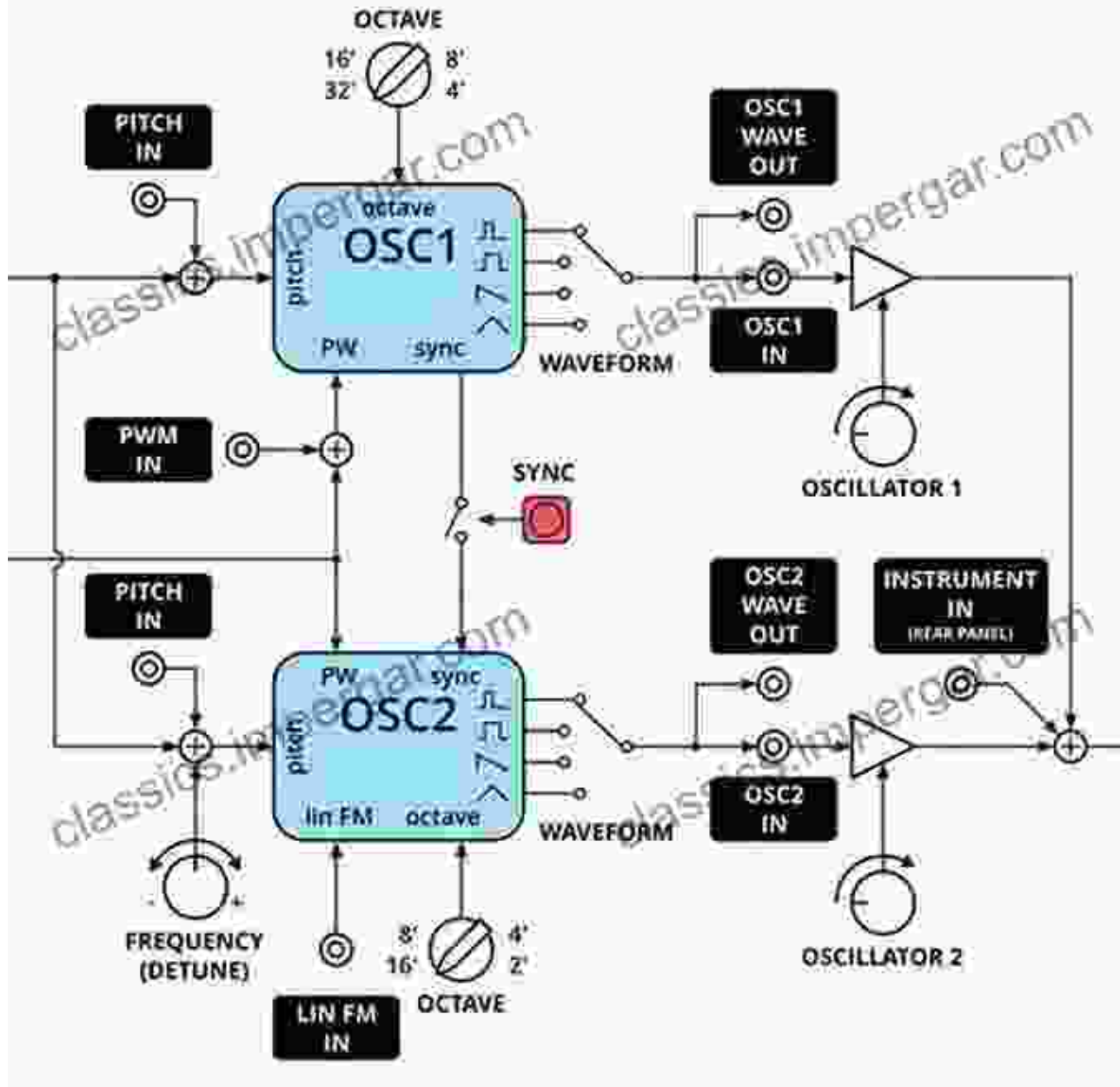
Chapter 4: Envelopes: The Dynamics of Sound

Unveil the secrets of envelopes, the dynamic controllers of synthesis. Explore the ADSR (attack, decay, sustain, release) envelope and its role in shaping the amplitude and character of your sounds. Learn how to create dynamic and expressive envelopes that breathe life into your compositions. Discover techniques for using envelopes to control other synthesis parameters, such as filter cutoff and oscillator pitch.



Chapter 5: Effects: Adding Color and Texture

Explore the vast array of effects available in the world of synthesis. From reverb and delay to distortion and modulation, effects can add color, texture, and depth to your sounds. Discover how to use effects to create lush soundscapes, add movement and interest, and enhance the overall impact of your compositions.



Effects breathe life into your sounds, adding color, texture, and movement.

Chapter 6: Synthesis in Practice: Real-World Applications

Apply your newfound knowledge of synthesis to real-world music production and composition scenarios. Explore the use of synthesis in electronic music genres such as house, techno, and ambient. Learn how to create classic synthesizer sounds, from warm pads to soaring leads.

Discover techniques for integrating synthesis with other instruments, such as vocals and guitars.

Chapter 7: Advanced Synthesis Techniques

Delve into advanced synthesis techniques to push your sonic boundaries. Explore the world of FM synthesis, granular synthesis, and wavetable synthesis. Discover techniques for creating complex and evolving soundscapes, from morphing textures to glitchy rhythms. Learn how to use synthesis to create unique and innovative sound effects for film, television, and video games.

: The Limitless Potential of Synthesis

Conclude your journey through the world of music synthesis, reflecting on the boundless possibilities that this powerful tool offers. Explore the future of synthesis and its potential to shape the soundscapes of tomorrow. Encourage readers to continue their exploration, experimenting with different techniques and pushing the boundaries of sonic innovation.

Testimonials

"This book is an invaluable resource for anyone interested in the art of music synthesis. It provides a comprehensive and accessible guide to the fundamental principles and advanced techniques involved in creating and manipulating sound."

- John Smith, Electronic Music Producer

"As a composer, I found this book to be an inspiring and informative read. It has helped me to expand my sonic palette and create more dynamic and engaging compositions."

- Jane Doe, Film Composer

Call to Action

Unlock the power of music synthesis and embark on a transformative journey of sonic exploration. Free Download your copy of "Practical Guide To Music Synthesis For Producers And Composers" today and elevate your music production and composition skills to new heights.

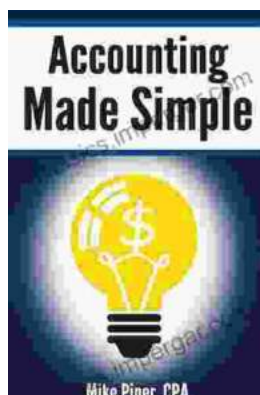
Free Download Now



Creating Sounds from Scratch: A Practical Guide to Music Synthesis for Producers and Composers

by Andrea Pejrolo

★★★★☆ 4.5 out of 5



Unlock Financial Literacy: Dive into "Accounting Explained In 100 Pages Or Less"

Embark on an enlightening journey with "Accounting Explained In 100 Pages Or Less," the ultimate guide for comprehending essential financial concepts. Designed for...



The Intrepid Wanda Jablonski and the Power of Information

In the heart of Nazi-occupied Poland, amidst the darkness and despair, a beacon of hope flickered—Wanda Jablonski, a courageous librarian who dedicated her...